

# APUS PLUS

Compact Android POS System



Apus Plus is a POS terminal with high reliability that boasts a slim and edgy design with a 15.6" wide screen. making it a cost-effective POS terminal optimized for the service industry.



# APUS PLUS

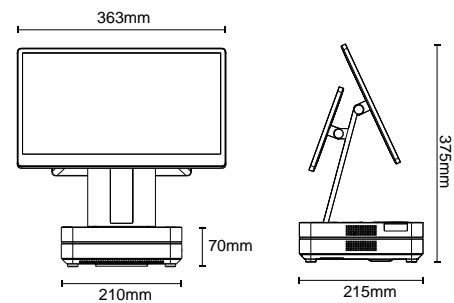
15.6inch Professional POS Terminal

## SPECIFICATIONS

| Model No.                           | APU156AD PLUS   |
|-------------------------------------|---|
| <b>SYSTEM</b>                       |   |
| Processor                           | RK3568 ARM Cortex-A55 Quad-core, 2.0Ghz               |
| RAM                                 | 2gb DDR4 (4gb option)                                 |
| ROM                                 | 16gb EMMC (32gb option)                               |
| OS                                  | Android 11  |
| <b>DISPLAY</b>                      |   |
| Main Display                        | 15.6 inch led backlight display                       |
| Resolution                          | 1366*768(1920*1080 option)                            |
| Brightness                          | 250 nits  |
| Aspect Ratio                        | 16:9  |
| Second Display                      | 10.1 inch (15.6 inch and touch on 2nd display option) |
| Touchscreen                         | Projective capacitive touch screen                    |
| <b>PRINTER</b>                      |   |
| Printer Mechanism                   | 80mm receipt thermal printer with auto cutter         |
| <b>INTERFACE</b>                    |   |
| USB                                 | 4*USB(including 1*USB OTG)                            |
| LAN                                 | 1*RJ45 10/100m ethernet                               |
| Scale                               | 1*RJ12  |
| Cash Drawer                         | 1*RJ11  |
| SD Port                             | 1 x TF expansion card                                 |
| Audio                               | 1 x 3.5 mm audio output                               |
| Power DC-IN                         | Input AC 100~240V/50~60hz, Output DC 24V/2.75A        |
| <b>PHYSICAL &amp; ENVIRONMENTAL</b> |   |
| Operating Temperature               | Operating 0°C~40°C at 5% to 90% humidity              |
| Storage Temperature                 | Storage -12°C~40°C at 10% to 90% humidity             |
| Dimensions                          | (W×D×H) 210x363x375 mm                                |
| Packing Dimensions                  | (W×D×H) 290x410x467 mm                                |
| Net Weight                          | 3.60 kg   |
| Packing Weight                      | 3.95 kg   |
| Material                            | Anodised aluminum, plastic                            |
| Color                               | Space black   |
| <b>OPTIONS &amp; PERIPHERALS</b>    |   |
| Wifi                                | 2.4 g/5 g dual-band Wi-Fi                             |
| Bluetooth                           | Bluetooth 5.0   |
| Speaker                             | 1*2w speaker  |

\*Specification may change without prior notice.

## DIMENSION



## FEATURES



15.6-inch touch display with precise touch.



Anodised aluminium, long-lasting robustness.



Wide angle adjustable screen.



80 mm thermal printer with auto cutter.



Thin bezel, provide tablet-like intuition and experience.



Slim thickness, can create a more sophisticated space.